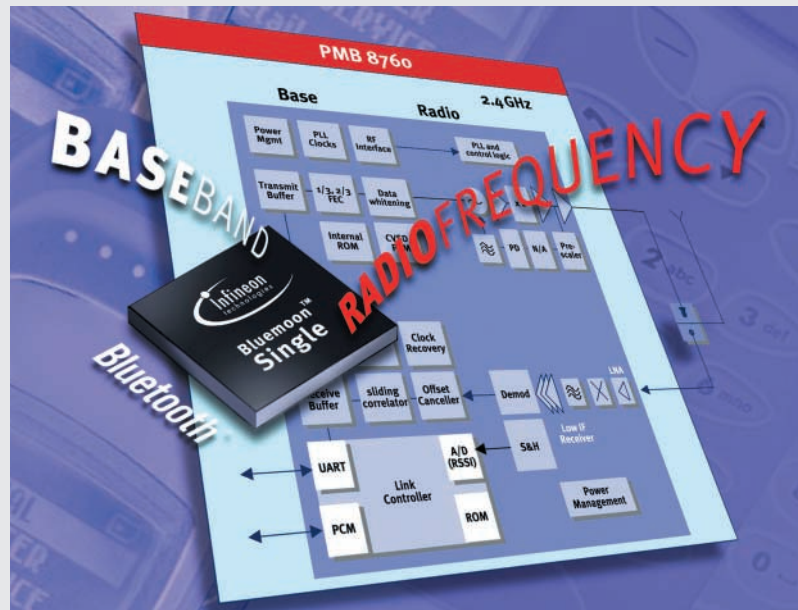


The BlueMoon™ Single solution is ideally suited to size-sensitive applications. This sophisticated member of the BlueMoon™ family combines Infineon's expertise in radio circuit design with its state-of-the-art CMOS technology. The advanced architecture integrates a new high-performance CMOS radio component in the Bluetooth™ Version 1.1 qualified and proven baseband controller of the BlueMoon™ I chipset.



BlueMoon™

Applications

- Cellular
- PDAs
- Headsets
- Handhelds and other size-sensitive applications

Features

- True single chip
- Low power consumption
- Smallest size (7 x 7 mm²), highest integration, lowest BoM

- Integrated ROM for lowest cost
- External flash for development and production ramp-up
- Integrated 13 MHz low power oscillator with on-chip PLL
- Programmable power-down mode
- 13 or 26 MHz clock input for joint use with GSM clocks
- Integrated voice coding (PCM, CVSD)
- Full SW tuning and trimming (no manual tuning points)
- State-of-the-art CMOS technology
- Integrated LNA
- Low IF receiver
- No external filter (SAW) required
- High RF sensitivity (-85 dBm @ 0.1% BER)
- On-chip 2.4 GHz RF driver amplifier with 4 dBm output power

Type	Sales Code	Package
BlueMoon Single	PMB8760	LFBGA-81

Note: The Bluetooth trademarks are owned by their proprietor and used by Infineon Technologies under license.

www.infineon.com/bluetooth

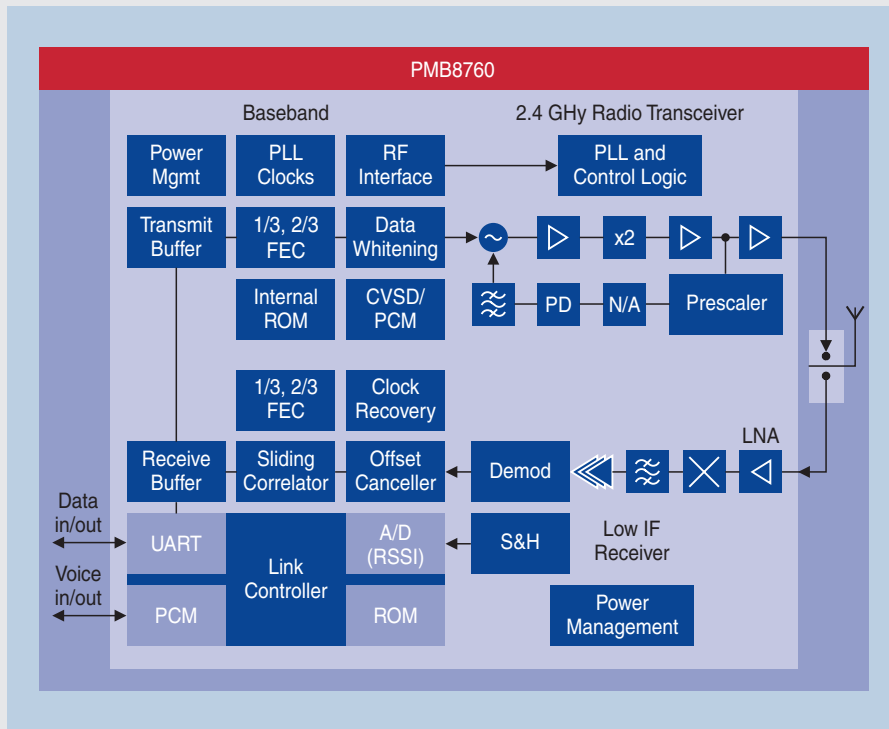
BlueMoon™ Single

PMB8760



Never stop thinking.

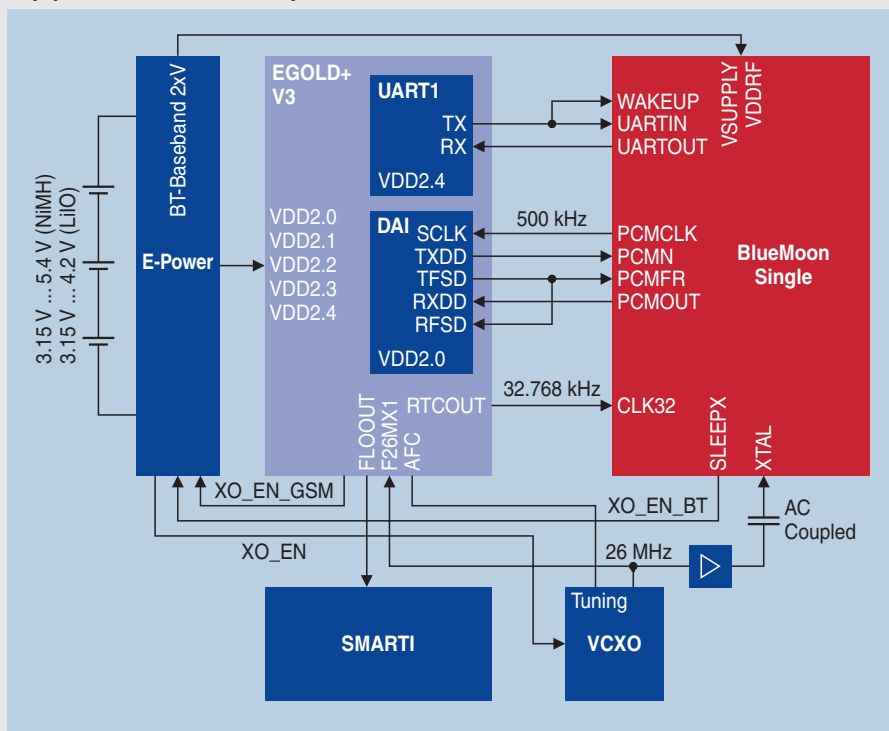
Block Diagram



Interfaces

- UART (2, 4 wired)
- PCM (A-law, μ -law)
- PA output control
- Wake up line
- Interface for optional external memory

Application Example: Mobile Phone with Bluetooth™



The BlueMoon™ Single is the perfect match for Bluetooth™ enabled handheld applications such as mobile phones, PDA and others, where board space, amount of external components and price are the dominating criteria. The block diagram provides an overview of a complete mobile phone system based on Infineon GSM/ GPRS and Bluetooth™ solutions.

How to reach us:

<http://www.infineon.com>

Published by
Infineon Technologies AG,
St.-Martin-Strasse 53,
81541 München

© Infineon Technologies AG 2001. All Rights Reserved.

Attention please!

The information herein is given to describe certain components and shall not be considered as warranted characteristics.

Terms of delivery and rights to technical change reserved.

We hereby disclaim any and all warranties, including but not limited to warranties of non-infringement, regarding circuits, descriptions and charts stated herein.

Infineon Technologies is an approved CECC manufacturer.

Information

For further information on technology, delivery terms and conditions and prices please contact your nearest Infineon Technologies Office in Germany or our Infineon Technologies Representatives worldwide.

Warnings

Due to technical requirements components may contain dangerous substances. For information on the types in question please contact your nearest Infineon Technologies Office.

Infineon Technologies Components may only be used in life-support devices or systems with the express written approval of Infineon Technologies, if a failure of such components can reasonably be expected to cause the failure of that life-support device or system, or to affect the safety or effectiveness of that device or system. Life support devices or systems are intended to be implanted in the human body, or to support and/or maintain and sustain and/or protect human life. If they fail, it is reasonable to assume that the health of the user or other persons may be endangered.