

Synchronous Step Down Controller

DESCRIPTION

SiP12202 is a synchronous step down controller designed for use in dc-dc converter circuits requiring output currents as high as 10 amperes. SiP12202 is designed to require a minimum number of external components, simplifying design and layout. It accepts input voltages from 2.7 V to 5.5 V, providing an adjustable output with voltage ranging from 0.6 V to 5.5 V.

SiP12202 includes a combination Compensation/Shutdown pin. Protection features include undervoltage lockout, Power Good output, output current limit, and thermal shutdown.

SiP12202 is available in a lead (Pb)-free MLP-33-10 package and is specified to operate over the range of -40 °C to 85 °C.

FEATURES

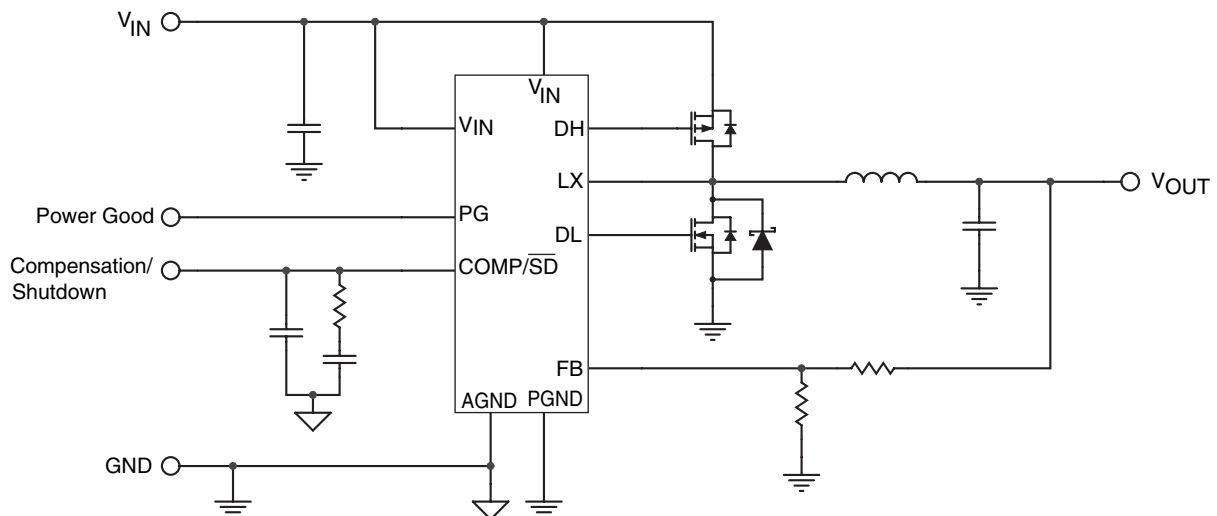
- 2.7 V to 5.5 V Input Voltage Range
- Adjustable Output Voltage - 0.6 to 5.5 V
- For Converter loads up to 10 A
- High efficiency - 93%
- Uses High Side P-Channel MOSFET
- Uses Low Side N-Channel MOSFET
- 500 kHz operation
- Internal Soft Start
- Power Good Indication
- Shutdown Pin
- Output Current Limit
- Minimum External Components
- MLP33-10 Package



APPLICATIONS

- Distributed Power
- Desktop & Notebook Computers
- Battery Operated Equipment
- Point of Load Regulation
- DSP Cores

TYPICAL APPLICATION CIRCUIT



ABSOLUTE MAXIMUM RATINGS		
Parameter	Limit	Unit
V_{IN} , LX to GND	6	V
FB, P _G , Comp/ \overline{SD} to GND	- 0.3 to 6	
Power Dissipation ^{a, b}	560	mW
Maximum Junction Temperature	125	°C
Storage Temperature	- 55 to + 150	

Notes

a. Device mounted with all leads soldered or welded to PC board

b. Derate 14 mW/°C above + 85 °C

Stresses beyond those listed under "Absolute Maximum Ratings" may cause permanent damage to the device. These are stress ratings only, and functional operation of the device at these or any other conditions beyond those indicated in the operational sections of the specifications is not implied. Exposure to absolute maximum rating/conditions for extended periods may affect device reliability.

RECOMMENDED OPERATING RANGE		
Parameter	Limit	Unit
Input Voltage Range	2.7 to 5.5	V
Output Voltage Adjustment Range	0.6 to 5.5	
Operating Temperature Range	- 40 to + 85	°C

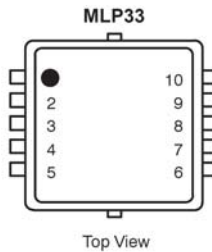
SPECIFICATIONS						
Parameter	Symbol	Test Condition Unless Specified $V_{IN} = 5.0$	Limits -40 to 85°C			Unit
			Min ^a	Typ ^b	Max ^a	
Controller						
Input Voltage	V_{IN}		2.7		5.5	V
Quiescent Current		Non Switching		0.6	1	mA
Switching Oscillator Frequency	f_{OSC}		400	500	600	kHz
Oscillator Ramp Amplitude	ΔV_{OSC}			1		V
Feedback Voltage	V_{FB}	$T_A = 25\text{ °C}$	0.591	0.600	0.609	V
			0.585		0.615	
FB input Bias Current	I_{FB}				100	nA
Transconductance	GM			2		mA/V
Soft Start				4		ms
Inputs and Outputs						
\overline{SD} Input Voltage	V_{IL}				0.15	V
Shutdown Current	I_{IL}			30	60	μA
MOSFET Drivers						
Break-before-make-time	t_{BBM}			30		ns
Highside Driver						
Output Voltage	V_{DH}		4.5			V
On resistance	$R_{DS_{HH}}$	$V_{IN} = 4.5\text{ V}$		1.3	1.9	Ω
	$R_{DS_{HL}}$	$V_{IN} = 4.5\text{ V}$		2.8	4.4	Ω
Rise time - PFET Turn On	t_{rH}	$V_{IN} = 5\text{ V}, C_L = 2.7\text{ nF}$		64		ns
Fall time - PFET Turn Off	t_{fH}	$V_{IN} = 5\text{ V}, C_L = 2.7\text{ nF}$		8		
Lowside Driver						
Output Voltage	V_{DL}		4.5			V
On resistance	$R_{DS_{LH}}$	$V_{IN} = 4.5\text{ V}$		5.5	8.2	Ω
	$R_{DS_{LL}}$	$V_{IN} = 4.5\text{ V}$		0.85	1.4	Ω
Rise time - NFET Turn On	t_{rL}	$V_{IN} = 5\text{ V}, C_L = 2.7\text{ nF}$		83		ns
Fall time - NFET Turn Off	t_{fL}	$V_{IN} = 5\text{ V}, C_L = 2.7\text{ nF}$		6.6		

SPECIFICATIONS						
Parameter	Symbol	Test Condition Unless Specified $V_{IN} = 5.0$	Limits -40 to 85°C			Unit
			Min ^a	Typ ^b	Max ^a	
Protection						
Under voltage lockout	V_{UVLO}	Rising	2.3	2.4	2.5	V
UVLO-Hysteresis				0.10		V
Power Good						
P_G Output Voltage	V_{PGOL}				0.4	V
P_G Leakage Current	I_{PGOL}	$I_{SINK} = 0.5 \text{ mA}$			1	μA
P_G Voltage Threshold	V_{ETH}		70			% V_{OUT}
P_G Threshold Hysteresis	V_{EH}			5		% V_{OUT}
Over Current Limit						
Thermal Shutdown Temperature		Rising		165		°C
Thermal Hysteresis				20		°C
MOSFET On Voltage Sense Threshold	V_{DL}	With respect to V_{IN}	-335	-300	-265	mV

NOTES:

- a) The algebraic convention whereby the most negative value is a minimum and the most positive a maximum.
- b) Typical values are for DESIGN AID ONLY, not guaranteed nor subject to production testing.

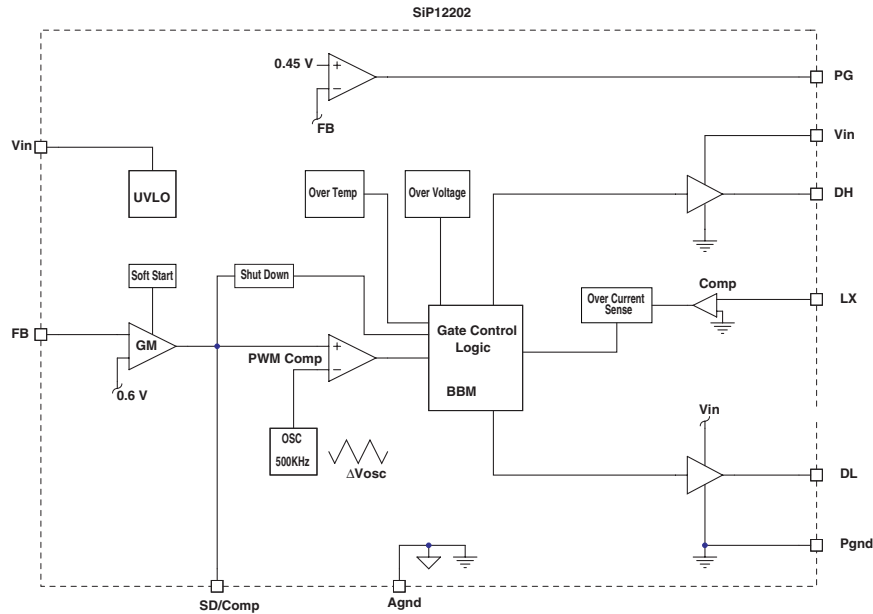
PIN CONFIGURATION



PIN DESCRIPTION		
Part Number	Name	Function
1	COMP/ $\overline{\text{SD}}$	Combination Compensation and Shut down pin
2	FB	Feedback input
3	AGND	Analog Ground
4	P_G	Indicates that the output voltage is in regulation
5, 10	V_{IN}	Input voltage for the power MOSFETs and their gate drive
6	DL	Lowside gate drive
7	PGND	Power Ground
8	LX	Connection for the inductor node
9	DH	Highside gate drive

ORDERING INFORMATION		
Part Number	Temperature Range	Package
SiP12202DM-T1-E3	-40 to 85 °C	MLP33-10
Eva Kit	Temperature Range	Board
SiP12202DB	-40 to 85 °C	Surface Mount

FUNCTIONAL BLOCK DIAGRAM



DETAILED OPERATIONAL DESCRIPTION

Enable/ON State:

The COMP/ \overline{SD} pin has 10 μA pull up current to ensure auto startup as soon as the pin is released by the external pull down MOS. When the internal reference is ready, there will be a clamp current applied at COMP \overline{SD} ; this is to ensure the COMP \overline{SD} pin will not go below 600 mV inadvertently due to the amplifier excursion or noise. The COMP \overline{SD} has to go above 600 mV to enable the chip fully.

Disable/Shutdown/Off State

To disable the chip, the COMP/ \overline{SD} pin has to be pulled below 150 mV typically and the external pull down MOSFET has to be able to sink at least 250 μA . Once the pin reaches a voltage below the 150 mV level, the chip will go into shutdown mode with only essential circuitry alive and the current bias of the chip will be cut down to 30 μA level typically. Both High Side and Low Side Gates are off.

UVLO:

The chip enters into Under Voltage Lockout when V_{IN} is below 2.3 V (typical). Both High Side Gate and Low Side Gate will be turned off. The chip will go out of UVLO mode when V_{IN} is above 2.4 V (typical).

Soft Start:

Once the chip is out of shutdown and UVLO mode the soft start is initiated. The soft start is done accomplished by ramping up the internal reference. During soft start mode the chip can not enter into fault mode. If there is an over current condition (current limit condition), the High Side Gate will be turned off and the Low Side will be turned on. Once the soft start timing elapses, the chip enters into a normal state of operation.

Output Over Voltage State:

When the Output voltage goes above 1.083 times nominal Output Voltage, the High Side Gate will be turned off and the Low Side Gate will be on. The condition will persist until the Output voltage drops below the trigger voltage minus a hysteresis.

Output Over Current State:

The SiP12202 will enter a cycle by cycle over current condition when the voltage on the LX pin falls below V_{IN} by 300 mV. During the over current condition the High Side MOSFET is turned off for the duration of the existing cycle. At the beginning of the next cycle the High Side MOSFET turns on and the LX voltage is measured again. If the over current condition still exists, the High Side MOSFET is turned off again. This is repeated seven consecutive times after which the IC will go into a fault state. If the over current condition is removed before seven consecutive cycles the IC reverts to normal operating mode.

Fault State:

The IC can only enter into Fault mode after the soft start mode has ended and seven consecutive over current condition cycles has occurred. Once it enters the Fault state, with the High Side MOSFET turned off and the Low Side MOSFET turned on, any occurring over current condition will be ignored. The Fault State will last for seven soft start cycles. After which the IC will enter Soft Start mode. If the over current condition is removed the IC will operate normally, otherwise the over current sequence is repeated. This fault scheme minimizes thermal stress on the external power MOSFET switches

Over Temperature:

When the temperature of the chip goes above 165 °C, the chip enters into over temperature shutdown. The High Side gate will be off and the Low Side gate will be on. Only system monitor circuitry will be active. Once the temperature of the chip drops below 145 °C, the chip enters into the normal operation mode.

Power Good:

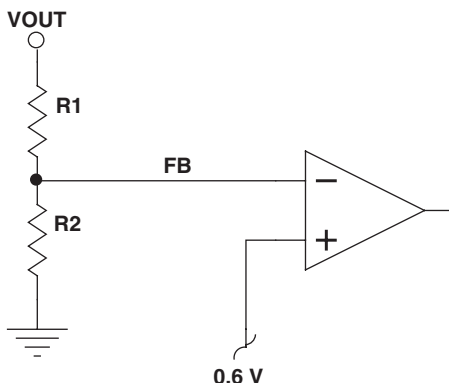
Power Good State: When the output is above 0.75 times nominal output voltage, the PG signal will be high to indicate that the output voltage is available for external use. The PG pin requires a pull up resistor.

Setting the Output Voltage:

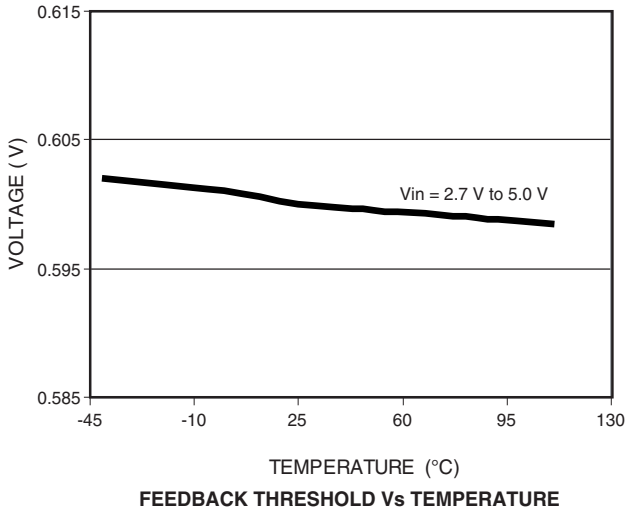
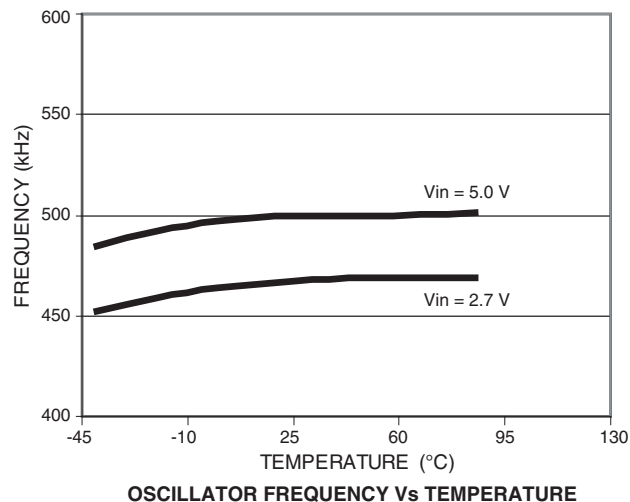
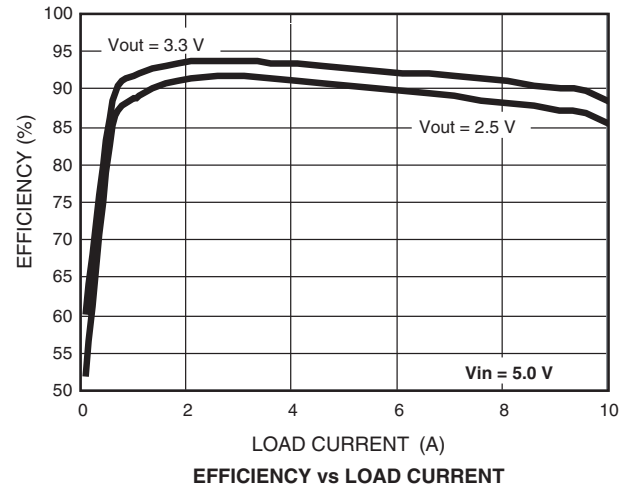
An output voltage between 0.8 V and $(0.9 V \times V_{IN})$ 0.6 V and V_{IN} and can be configured by connecting FB pin to a resistive divider between the output and GND. Select resistor R2 in the 1 kΩ to 10 kΩ range. R1 is then given by:

$$R_1 = R_2 \left(\frac{V_{OUT}}{V_{FB}} - 1 \right)$$

where $V_{FB} = 0.6 V$.

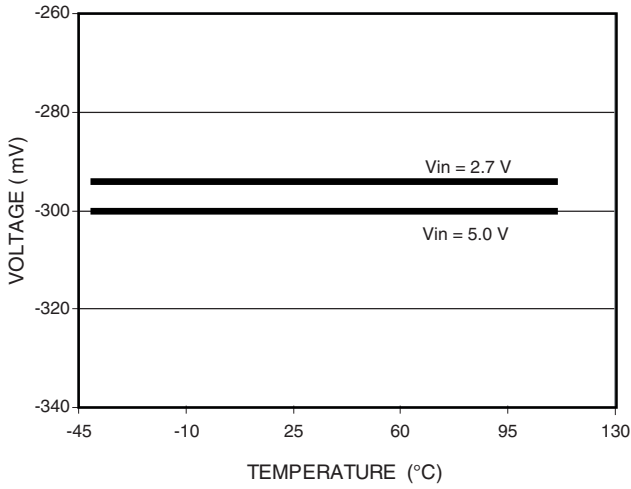


TYPICAL CHARACTERISTICS

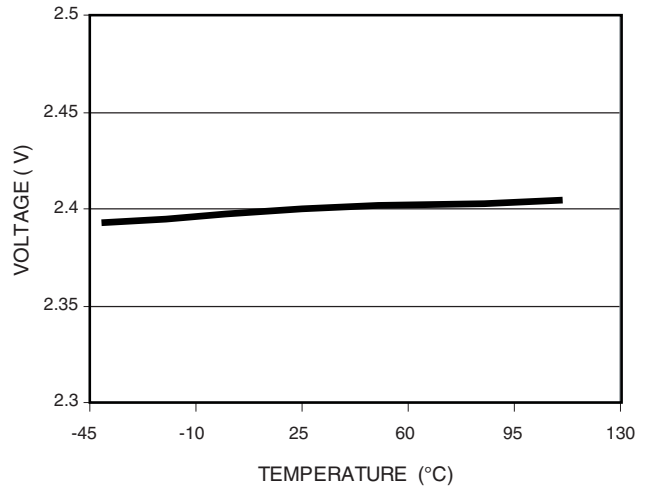




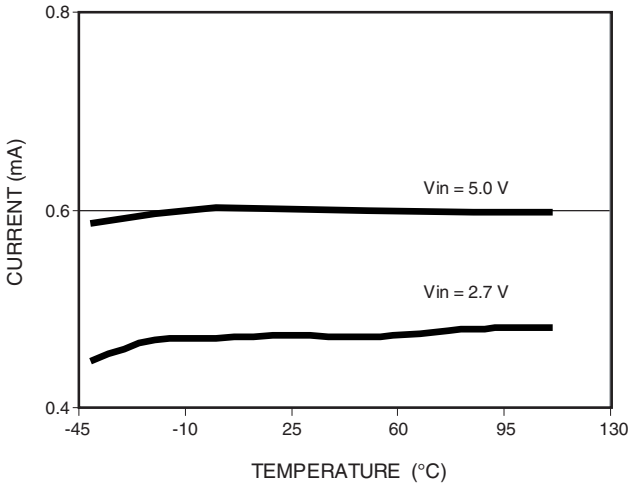
TYPICAL CHARACTERISTICS



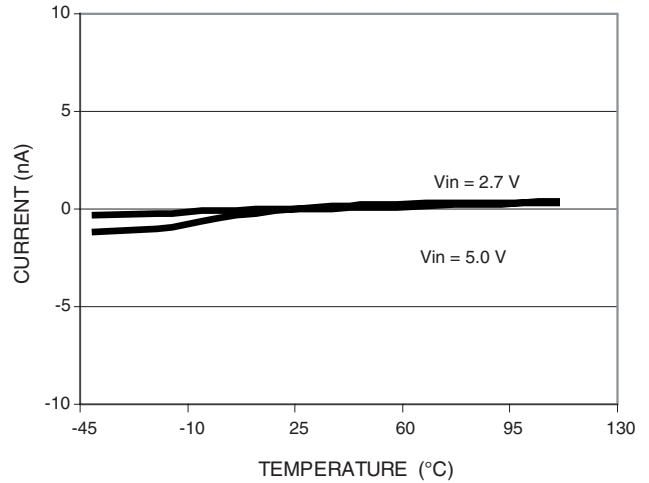
CURRENT SENSE VOLTAGE Vs TEMPERATURE



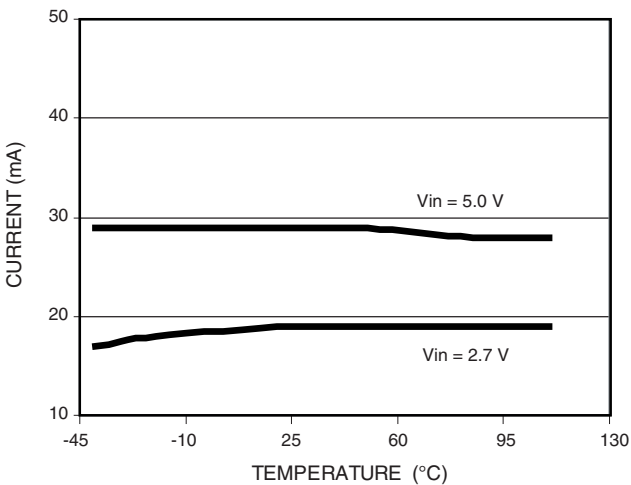
UVLO Vs TEMPERATURE



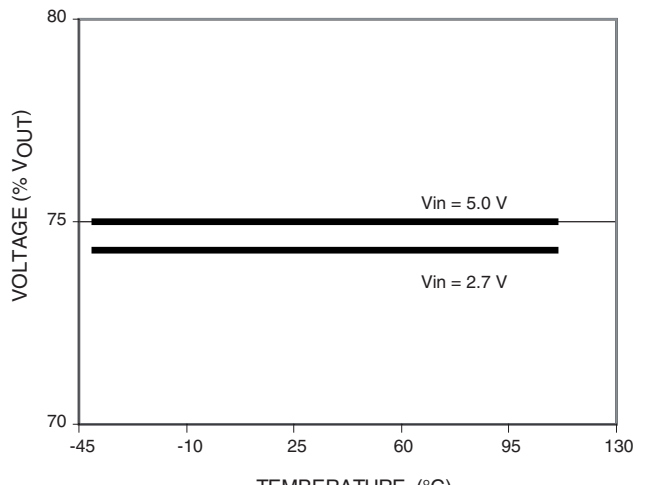
QUIESCENT CURRENT Vs TEMPERATURE



FB INPUT BIAS CURRENT Vs TEMPERATURE

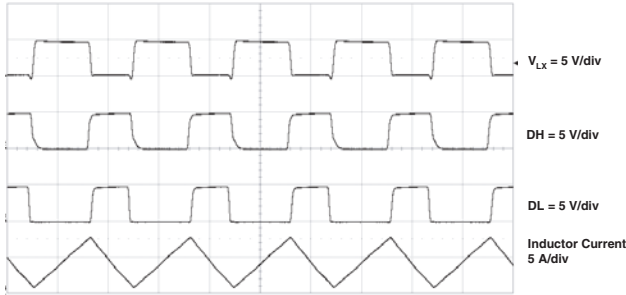


SHUTDOWN CURRENT Vs TEMPERATURE

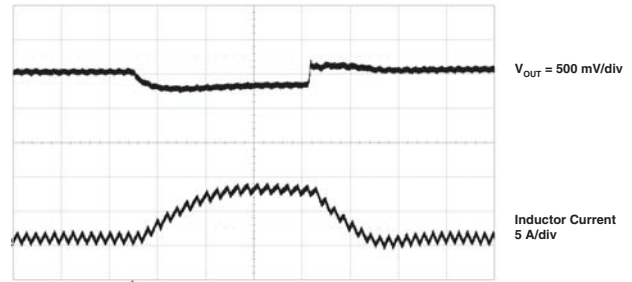


POWER GOOD THRESHOLD Vs TEMPERATURE

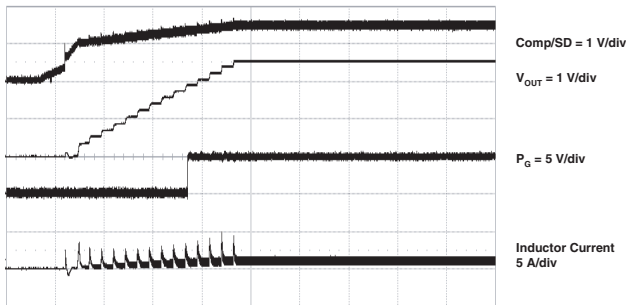
TYPICAL WAVEFORMS



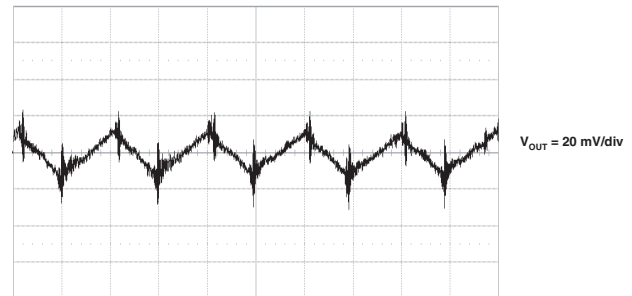
$1 \mu\text{s/div}$
 $V_{IN} = 5 \text{ V}, V_{OUT} = 2.5 \text{ V}, \text{Load Current} = 5 \text{ A}, L = 1.5 \mu\text{H},$
 $C_{OUT} = 220 \mu\text{F} \times 2$
Typical Switching Waveform



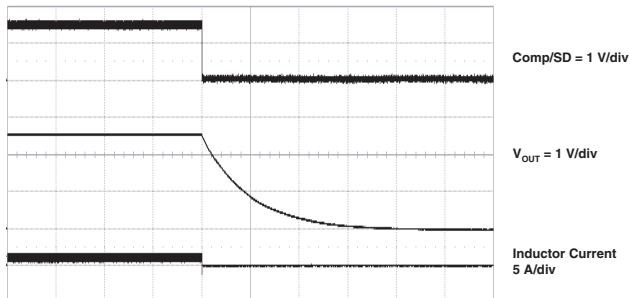
$10 \mu\text{s/div}$
 $V_{IN} = 5 \text{ V}, V_{OUT} = 2.5 \text{ V}, \text{Load Current} = 1 \text{ A to } 8 \text{ A Step},$
 $L = 1.5 \mu\text{H}, C_{OUT} = 220 \mu\text{F} \times 2$
Load Transient Response



1 ms/div
 $V_{IN} = 5 \text{ V}, V_{OUT} = 2.5 \text{ V}, \text{Load Current} = 1 \text{ A},$
 Output Filter Cap = $220 \mu\text{F} \times 2$
Soft Start



$1 \mu\text{s/div}$
 $V_{IN} = 5 \text{ V}, V_{OUT} = 2.5 \text{ V}, \text{Load Current} = 1 \text{ A},$
 $L = 1.5 \mu\text{H}, C_{OUT} = 220 \mu\text{F} \times 2$
Output Voltage Ripple



1 ms/div
 $V_{IN} = 5 \text{ V}, V_{OUT} = 2.5 \text{ V}, \text{Load Current} = 1 \text{ A},$
 Output Filter Cap = $220 \mu\text{F} \times 2$
Shut Down



APPLICATION NOTES

Inductor Selection:

An inductor is one of the energy storage component in a converter. Choosing an inductor means specifying its size, structure, material, inductance, saturation level, dc-resistance (DR.), and core loss. Fortunately, there are many inductor vendors that offer wide selections with ample specifications and test data, such as Vishay Dale.

The following are some key parameters that users should focus on. In PWM mode, inductance has a direct impact on the ripple current. The peak-to-peak inductor ripple current can be calculated as

$$I_{P-P} = \frac{V_{OUT} (V_{IN} - V_{OUT})}{V_{IN} L f}$$

where f = switching frequency.

Higher inductance means lower ripple current, lower current, lower voltage ripple on both input and output, and higher efficiency, unless the resistive loss of the inductor dominates the overall conduction loss. However, higher inductance also means a bigger inductor size and a slower response to transients. In PSM mode, inductance affects inductor peak current, and consequently impacts the load capability and switching frequency. For fixed line and load conditions, higher inductance results in a lower peak current for each pulse, a lower load capability, and a higher switching frequency.

The saturation level is another important parameter in choosing inductors. Note that the saturation levels specified in data sheets are maximum currents. For a dc-to-dc converter operating in PWM mode, it is the maximum peak inductor current that is relevant, and which can be calculated using these equations:

$$I_{PK} = I_{OUT} + \frac{I_{P-P}}{2}$$

This peak current varies with inductance tolerance and other errors, and the rated saturation level varies over temperature. So a sufficient design margin is required when choosing current ratings.

A high-frequency core material, such as ferrite, should be chosen, the core loss could lead to serious efficiency penalties. The DCR should be kept as low as possible to reduce conduction losses.

Input Capacitor Selection:

To minimize current pulse induced ripple caused by the step-down controller and interference of large voltage spikes from other circuits, a low-ESR input capacitor is required to filter the input voltage. The input capacitor should be rated for the maximum RMS input current:

$$I_{RMS} = I_{LOAD(max)} \sqrt{\frac{V_{OUT}}{V_{IN}} \left(1 - \frac{V_{OUT}}{V_{IN}} \right)}$$

It is common practice to rate for the worst-case RMS ripple that occurs when the duty cycle is at 50%:

$$I_{RMS} = \frac{I_{LOAD(max)}}{2}$$

Output Capacitor Selection:

The selection of the output capacitor is primarily determined by the ESR required to minimize voltage ripple and current ripple. The desired output ripple ΔV_{OUT} can be calculated by:

$$\Delta V_{OUT} = (I_{max} - I_{min}) \left(ESR + \frac{1}{8fC_{OUT}} \right)$$

Current ripple can be calculated by:

$$(I_{max} - I_{min}) = \frac{T}{L} \frac{V_{OUT}}{V_{IN}} (V_{IN} - V_{OUT})$$

Where: ΔV_{OUT} = Desired Output Ripple Voltage

f = switching frequency

I_{max} = Maximum Inductor Current

I_{min} = Minimum Inductor Current

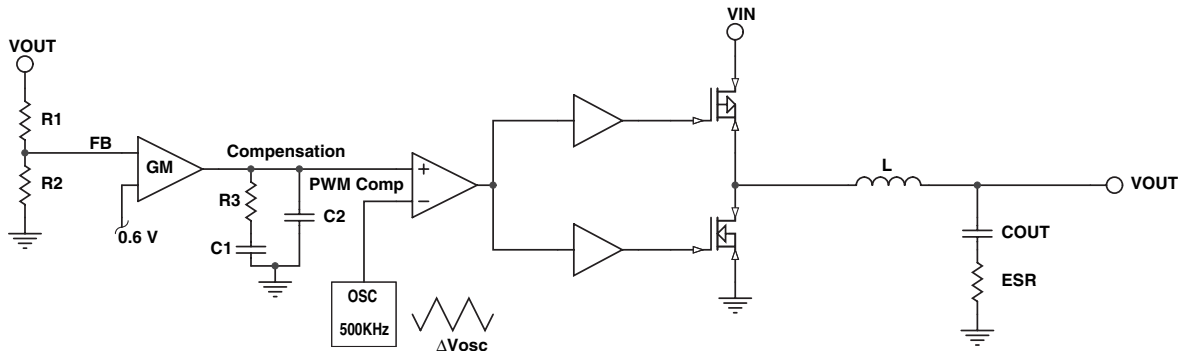
T = Switching Period

Multiple capacitors placed in parallel may be needed to meet the ESR requirements. However if the ESR is too low it can cause instability.

MOSFET Selection:

The key selection criteria for the MOSFETs include maximum specifications for on-resistance, drain-source voltage, gate source, current, and total gate charge Q_g . While the voltage ratings are fairly straightforward, it is important to carefully balance on-resistance and gate charge. In typical MOSFETs, the lower the on-resistance, the higher the gate charge. The power loss of a MOSFET consists of conduction, gate charge, and crossover losses. For lower-current application, gate charge losses become a significant factor, so low gate charge MOSFETs, such as Vishay Siliconix's LITTLE FOOT family of PWM-optimized devices, are desirable.

Compensation:



The SiP12201 uses voltage mode control in conjunction with a high frequency Transconductance error amplifier. The voltage feedback loop is compensated at the Comp/SD pin, which is the output node of the error amplifier. The feedback loop is generally compensated with an RC + C (one pole, one zero) network from comp to GND. Loop stability is affected by the values of the inductor, the output capacitor, the output capacitor ESR, and the error amplifier compensation network.

The ideal Bode plot for a compensated system would be gain that rolls off at a slope of -20 dB/decade, crossing 0dB at the desired bandwidth and a phase margin greater than 90° for all frequencies below the 0dB crossing.

The compensation network used with the error amplifier must provide enough phase margin at the 0dB cross-over frequency for the overall open-loop transfer function to be stable. The following guidelines will calculate the compensation pole and zero to stabilize the SiP12201.

The inductor and output capacitor values are usually determined by efficiency, voltage and current ripple requirements. The inductor and the output capacitor create a double pole at the frequency and a -180° phase change:

$$f_{p(LC)} = \frac{1}{2\pi\sqrt{L * C_{OUT}}}$$

The ESR of the output capacitor and the output capacitor value form a zero at the frequency:

$$f_{z(ESR)} = \frac{1}{2\pi(ESR)(C_{OUT})}$$

The $f_{z(ESR)}$ typically should be higher than the $f_{p(LC)}$ and give a 90° phase boost. R3 and C1 will establish the second zero of the system. The frequency of the zero should be 2X lower than the double pole frequency of the inductor and the output capacitor.

$$f_{z(comp)} = \frac{1}{2\pi R3 C1}$$

Choose a value for R3 usually between 1 kΩ and 10 kΩ. This second zero will provide the second 90° phase boost and will stabilize the closed loop system. The second pole should be placed at ½ the switching frequency.

$$C2 = \frac{C1}{2\pi * R1 * C1 * F_{sw}^{-1}}$$

Although a mathematical approach to frequency compensation can be used, the added complication of input and/or output filters, unknown capacitor ESR, and gross operating point changes with input voltage, load current variations, all suggest a more practical empirical method. This can be done by injecting at the load a variable frequency small signal voltage between the output and the feedback network and using an RC network box to iterate toward the final values; or by obtaining the optimum loop response using a network analyzer to measure the loop Gain and Phase.

Layout:

As in the design of any switching dc-to-dc converter, driver careful layout will ensure that there is a successful transition from design to production. One of the few drawbacks of switching dc-to-dc converters is the noise induced by their high-frequency switching. Parasitic inductance and capacitance may become significant when a converter is switching at 500 kHz. However,



noise levels can be minimized by properly laying out the components. Here are some general guidelines for laying out a step-down converter with the SiP12202. Since power traces in step down converters carry pulsating current, energy stored in trace inductance during the pulse can cause high-frequency ringing with input and output capacitors. Minimizing the length of the power traces will minimize the parasitic inductance in the trace. The same pulsating currents can cause voltage drops due to the trace resistance and cause effects such as ground bounce. Increasing the width of the power trace, which increases the cross sectional area, will minimize the trace resistance. In all dc-to-dc converters the decoupling capacitors should be placed as close as possible to the pins being decoupled to reduce the noise. The connections to both terminals should be as short as possible with low-inductance (wide) traces. In the SiP12202 converters, the V_{IN} is decoupled to PGND. It may be necessary to decouple VDD to AGND, with the decoupling capacitor being placed adjacent to the pins. AGND and PGND traces should be isolated from each other and only connected at a single node such as a "star ground".